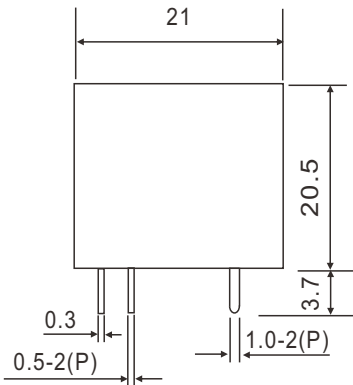




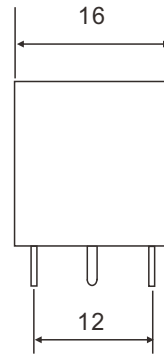
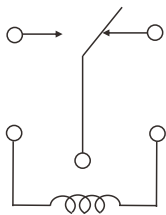
## CONTACT RATING

1A(1PST-NO) TYPE	Resistive (Cos.θ = 1)	AC 277V	15A
		AC 250V/DC 28V	17A
		AC 125V	20A
1C (SPDT) TYPE	Resistive (Cos.θ = 1)	AC 277V	15A
		AC 250V/DC 28V	17A
		AC 125V	20A

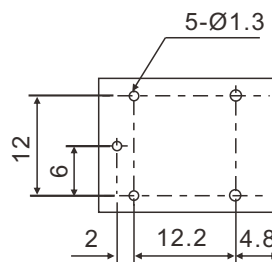
## DIMENSIONS(±0.2mm)



WIRING DIAGRAM  
(BOTTOM VIEW)



P.C.B LAYOUT  
(BOTTOM VIEW)



## GENERAL DATA

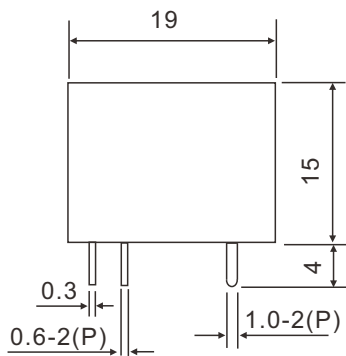
Insulation Resistance	500 MΩ Min. (DC 500V)
Dielectric Strength	1,000 VAC, 50/60Hz between contact.
	2,500 VAC, 50/60Hz between all elements.
Contact Material	Ag Alloy
Contact Resistance	100 milliohms max. ( initial value )
Shock Resistance	Malfunction: 10G ; Destructive: 100G
Vibration Resistance	Malfunction: 10 to 55 Hz. at Double Amplitude of 1.5 mm
	Destructive: 10 to 55 Hz. at Double Amplitude of 1.5 mm
Operation Time	10 ms max.
Release Time	5 ms max.
Temperature Range	- 40°C ~ + 85°C
Expected Life	With operation rate 30/min.
	Mechanical - 10,000,000 operations min. Electrical - 100,000 operations min. at rated load.
Weight	14 grams



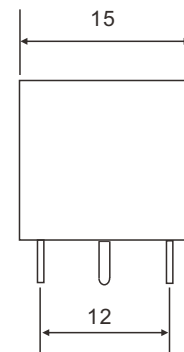
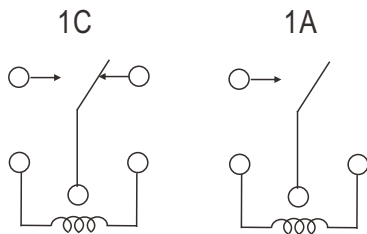
## CONTACT RATING

NIL:10A	UL	Resistive (Cos.θ = 1)	AC 240V / DC 24V	10A
		Inductive (Cos.θ = 0.4)	AC 240V	5A
	TUV	Resistive (Cos.θ = 1)	AC 120V	10A
		Inductive (Cos.θ = 0.4)	AC 240V / DC 24V	7A
H:7A	Resistive (Cos.θ = 1)		AC 240V / DC 24V	7A

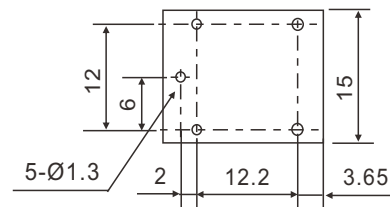
## DIMENSIONS(±0.2mm)



WIRING DIAGRAM  
(BOTTOM VIEW)



P.C.B LAYOUT  
(BOTTOM VIEW)



## GENERAL DATA

Insulation Resistance	100 MΩ Min. (DC 500V)
Dielectric Strength	750 VAC, 50/60Hz between contact.
	1,500 VAC, 50/60Hz between all elements.
Contact Material	Ag alloy.
Contact Resistance	100 milliohms max. ( initial value )
Shock Resistance	Malfunction: 10G(11ms) ; Destructive: 100G(6ms)
Vibration Resistance	Malfunction: 10 to 55 Hz. at Double Amplitude of 1.5 mm
	Destructive: 10 to 55 Hz. at Double Amplitude of 1.5 mm
Operation Time	8 ms max.
Release Time	5 ms max.
Temperature Range	- 25°C ~ + 80°C
Expected Life	With operation rate 30/min.
	Mechanical - 10,000,000 operations min.
	Electrical - 100,000 operations min. at rated load.
Weight	9 grams



UL FILE NO. : E131959  
CUL FILE NO. : E131959  
TUV FILE NO. : R09452200

## FEATURES

- Better construction for heat radiating
- 1A (1PST) and 1C (1PDT) contact form are available
- UL, CUL, TUV approved
- Using at home appliances, office machines, audio equipment, coffee pot, control units, etc

## ORDERING INFORMATION

LE   1A   —   12   T   W  
1        2                    3        4        5

- |                         |                   |
|-------------------------|-------------------|
| 1. Type                 | 4. Contact Rating |
| 2. Contact Arrangement  | T : 10A           |
| Nil : 1 Form C(1PDT)    | F : 15A           |
| 1A : 1 Form A(1PST-NO)  | 5. Enclosure      |
| 1B : 1 Form B(1PST-NC)  | W : Sealed Type   |
| 3. Coil Nominal Voltage |                   |

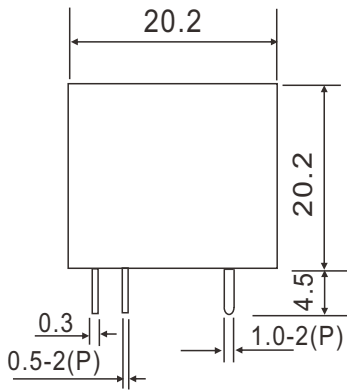
## COIL DATA(0.36W,0.63W, at 25°C )

Coil Nominal Voltage (VDC)	Resistance Tol.±10% (Ohms)		Nominal Current (mA)		Maximum Pick Up Voltage (V)	Minimum Drop Out Voltage (V)
	T	F	T	F		
3	25		120		2.25	0.3
5	70		72		3.75	0.5
6	100	57	60	105	4.50	0.6
9	225	128	40	70	6.75	0.9
12	400	225	30	53	9.00	1.2
24	1,600	1,600	15	15	18.00	2.4
48	6,400		7.5		36.00	4.8

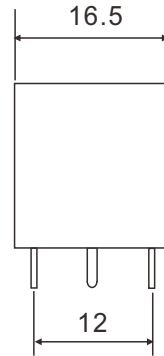
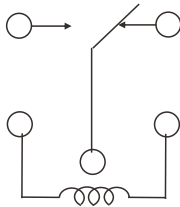
## CONTACT RATING

T TYPE	Resistive (Cos.θ = 1)	AC 120V / DC 24V	10A
		AC 240V	6A
	Inductive (Cos.θ = 0.4)	AC 120V / DC 24V	6A
		AC 240V	3A
F TYPE	Resistive (Cos.θ = 1)	DC 24V	15A
		Making Capacity	30A

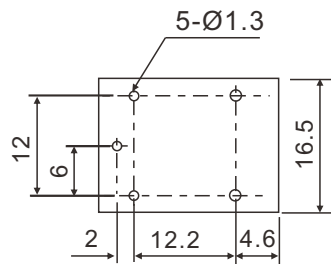
## DIMENSIONS(±0.2mm)



WIRING DIAGRAM  
(BOTTOM VIEW)



P.C.B LAYOUT  
(BOTTOM VIEW)



## GENERAL DATA

Insulation Resistance	100 MΩ Min. (DC 500V)
Dielectric Strength	750 VAC, 50/60Hz between contact.
	1,500 VAC, 50/60Hz between all elements.
Contact Material	Ag Alloy
Contact Resistance	100 milliohms max. ( initial value )
Shock Resistance	Malfunction: 10G(11ms) ; Destructive: 100G(6ms)
Vibration Resistance	Malfunction: 10 to 55 Hz. at Double Amplitude of 1.5 mm
	Destructive: 10 to 55 Hz. at Double Amplitude of 1.5 mm
Operation Time	10 ms max.
Release Time	5 ms max.
Temperature Range	- 40°C ~ + 85°C
Expected Life	With operation rate 30/min.
	Mechanical - 10,000,000 operations min.
	Electrical - 100,000 operations min. at rated load.
Weight	12 grams



UL FILE NO. : E131959  
 CUL FILE NO. : E131959  
 TUV FILE NO. : R09452200  
 TUV termination date 31/12/2017

## FEATURES

- Better construction for heat radiating
- 1A (1PST) and 1C (1PDT) contact form are available
- UL, CUL, TUV approved
- Using at home appliances, office machines, audio equipment, coffee pot, control units, etc

## ORDERING INFORMATION

LE   1A   —   12   T   W  
 1        2                    3        4        5

- |                         |                   |
|-------------------------|-------------------|
| 1. Type                 | 4. Contact Rating |
| 2. Contact Arrangement  | T : 10A           |
| Nil : 1 Form C(1PDT)    | F : 15A           |
| 1A : 1 Form A(1PST-NO)  | 5. Enclosure      |
| 1B : 1 Form B(1PST-NC)  | W : Sealed Type   |
| 3. Coil Nominal Voltage |                   |

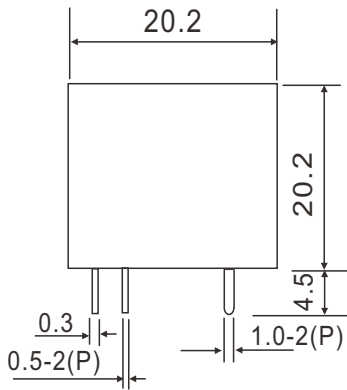
## COIL DATA(0.36W,0.63W, at 25°C )

Coil Nominal Voltage (VDC)	Resistance Tol.±10% (Ohms)		Nominal Current (mA)		Maximum Pick Up Voltage (V)	Minimum Drop Out Voltage (V)
	T	F	T	F		
3	25		120		2.25	0.3
5	70		72		3.75	0.5
6	100	57	60	105	4.50	0.6
9	225	128	40	70	6.75	0.9
12	400	225	30	53	9.00	1.2
24	1,600	1,600	15	15	18.00	2.4
48	6,400		7.5		36.00	4.8

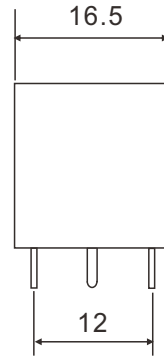
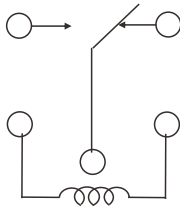
## CONTACT RATING

T TYPE	Resistive (Cos.θ = 1)	AC 120V / DC 24V	10A
		AC 240V	6A
	Inductive (Cos.θ = 0.4)	AC 120V / DC 24V	6A
		AC 240V	3A
F TYPE	Resistive (Cos.θ = 1)	DC 24V	15A
		Making Capacity	30A

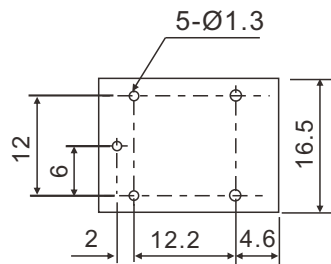
## DIMENSIONS(±0.2mm)



WIRING DIAGRAM  
(BOTTOM VIEW)



P.C.B LAYOUT  
(BOTTOM VIEW)



## GENERAL DATA

Insulation Resistance	100 MΩ Min. (DC 500V)
Dielectric Strength	750 VAC, 50/60Hz between contact.
	1,500 VAC, 50/60Hz between all elements.
Contact Material	Ag Alloy
Contact Resistance	100 milliohms max. ( initial value )
Shock Resistance	Malfunction: 10G(11ms) ; Destructive: 100G(6ms)
Vibration Resistance	Malfunction: 10 to 55 Hz. at Double Amplitude of 1.5 mm
	Destructive: 10 to 55 Hz. at Double Amplitude of 1.5 mm
Operation Time	10 ms max.
Release Time	5 ms max.
Temperature Range	- 40°C ~ + 85°C
Expected Life	With operation rate 30/min.
	Mechanical - 10,000,000 operations min.
	Electrical - 100,000 operations min. at rated load.
Weight	12 grams

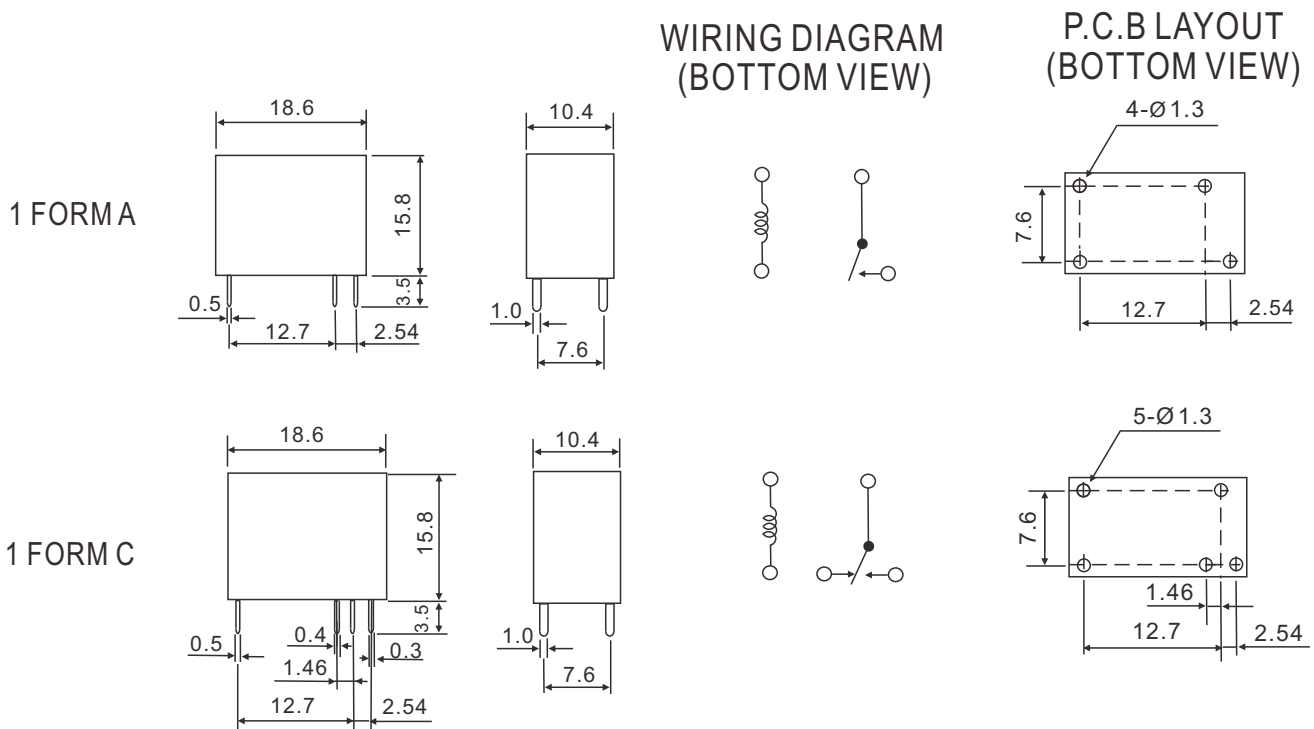




## CONTACT RATING

1 FORM A(1PST)	Resistive (Cos.θ = 1)	0.45W	AC 125V	10A
			AC 250V/DC30V	5A
		0.2W	AC 125V	5A
			AC 250V/DC30V	3A
1 FORM C(1PDT)	Resistive (Cos.θ = 1)	0.45W	AC 250V/DC30V	3A

## DIMENSIONS(±0.2mm)



## GENERAL DATA

Insulation Resistance	1000 MΩ Min. (DC 500V)
Dielectric Strength	1000 VAC, 50/60Hz between contact.
	A:3,500,C:2500/ VAC, 50/60Hz between all elements.
Contact Material	Ag Alloy.
Contact Resistance	100 milliohms max. ( initial value )
Shock Resistance	Malfunction: 10G(11ms) ; Destructive: 100G(6ms)
Vibration Resistance	Malfunction: 10 to 55 Hz. at Double Amplitude of 1.5 mm
	Destructive: 10 to 55 Hz. at Double Amplitude of 1.5 mm
Operation Time	10 ms max.
Release Time	5 ms max.
Temperature Range	- 30°C ~ + 80°C
Expected Life	With operation rate 30/min.
	Mechanical - 10,000,000 operations min.
	Electrical - 100,000 operations min. at rated load.
Weight	6 grams

## FEATURES

- Small size (18.6x10.4x15.8mm) up to 10A/ 5A switching
- capacity for high density PC Board mounting technique
- Plastic insulation material designed for high temperature and better chemical solution performance
- Using at Domestic appliances, office machines, audio equipment, Automotive, etc.
- UL FILE NO.:E131959



UL FILE NO. : E131959  
CUL FILE NO. : E131959

## ORDERING INFORMATION

LJ    A    —    12    S  
 1        2                    3        4

- |                        |                         |
|------------------------|-------------------------|
| 1. Type                | 3. Coil Nominal Voltage |
| 2. Contact Arrangement | 4. Coil Sensitivity     |
| Nil : 1 Form C         | Nil :0.45W              |
| A : 1 Form A           | S :0.2 W                |

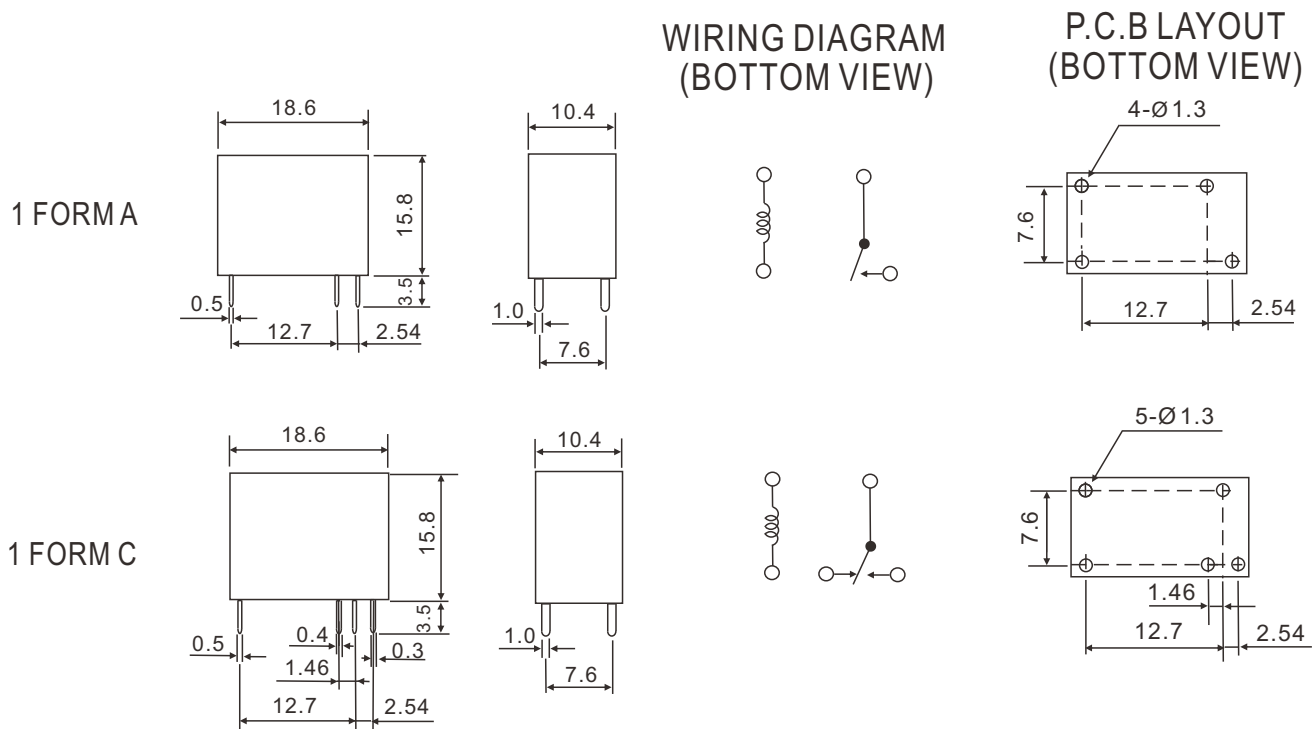
## COIL DATA(0.2W,0.45W, at 25°C)

Coil Nominal Voltage (VDC)	Resistance Tol.±10% (Ohms)		Nominal Current (mA)		Maximum Pick Up Voltage (V)		Minimum Drop Out Voltage (V)
	0.45W	0.2W	0.45W	0.2W	0.45W	0.2W	
3	20	45	150.0	67.0	2.25	2.4	0.3
5	55	125	91.0	40.0	3.75	4.0	0.5
6	80	180	75.0	33.3	4.5	4.8	0.6
9	180	405	50.0	22.5	6.75	7.2	0.9
12	320	720	37.5	16.7	9.0	9.6	1.2
24	1,280	2,880	18.8	8.6	18.0	19.2	2.4
48	5,100		9.4		36.0		4.8

## CONTACT RATING

1 FORM A(1PST)	Resistive (Cos.θ = 1)	0.45W	AC 125V	10A
			AC 250V/DC30V	5A
		0.2W	AC 125V	5A
			AC 250V/DC30V	3A
1 FORM C(1PDT)	Resistive (Cos.θ = 1)	0.45W	AC 125V	10A
			AC 250V/DC30V	5A

## DIMENSIONS(±0.2mm)



## GENERAL DATA

Insulation Resistance	1000 MΩ Min. (DC 500V)
Dielectric Strength	1000 VAC, 50/60Hz between contact.
	A:3,500,C:2500/ VAC, 50/60Hz between all elements.
Contact Material	Ag Alloy.
Contact Resistance	100 milliohms max. ( initial value )
Shock Resistance	Malfunction: 10G(11ms) ; Destructive: 100G(6ms)
Vibration Resistance	Malfunction: 10 to 55 Hz. at Double Amplitude of 1.5 mm
	Destructive: 10 to 55 Hz. at Double Amplitude of 1.5 mm
Operation Time	10 ms max.
Release Time	5 ms max.
Temperature Range	- 30°C ~ + 80°C
Expected Life	With operation rate 30/min.
	Mechanical - 10,000,000 operations min.
	Electrical - 100,000 operations min. at rated load.
Weight	6 grams

## FEATURES

- Small size (18.6x10.4x15.8mm) up to 10A switching
- capacity for high density PC Board mounting technique
- Plastic insulation material designed for high temperature and better chemical solution performance
- Using at Domestic appliances, office machines, audio equipment, Automotive, etc.



## ORDERING INFORMATION

LJ    A    —    12    S  
 1        2                    3        4

- |                        |                         |
|------------------------|-------------------------|
| 1. Type                | 3. Coil Nominal Voltage |
| 2. Contact Arrangement | 4. Coil Sensitivity     |
| Nil : 1 Form C         | Nil : 0.45W             |
| A : 1 Form A           | S : 0.2 W               |

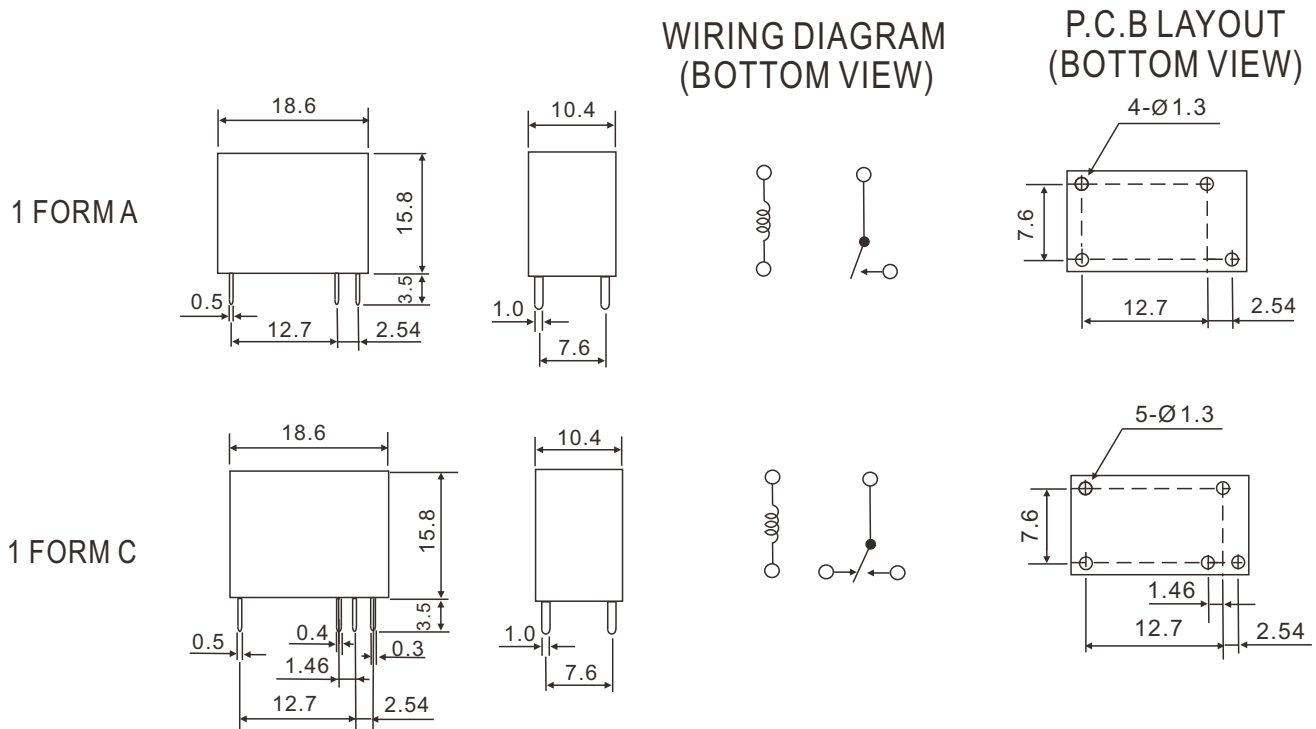
## COIL DATA(0.2W,0.45W, at 25°C)

Coil Nominal Voltage (VDC)	Resistance Tol.±10% (Ohms)		Nominal Current (mA)		Maximum Pick Up Voltage (V)		Minimum Drop Out Voltage (V)
	0.45W	0.2W	0.45W	0.2W	0.45W	0.2W	
3	20	45	150.0	67.0	2.25	2.4	0.3
5	55	125	91.0	40.0	3.75	4.0	0.5
6	80	180	75.0	33.3	4.5	4.8	0.6
9	180	405	50.0	22.5	6.75	7.2	0.9
12	320	720	37.5	16.7	9.0	9.6	1.2
24	1,280	2,880	18.8	8.6	18.0	19.2	2.4
48	5,100		9.4		36.0		4.8

## CONTACT RATING

1 FORMA(1PST)	Resistive (Cos.θ = 1)	0.45W	AC 250V/DC30V	10A
---------------	-----------------------	-------	---------------	-----

## DIMENSIONS(±0.2mm)



## GENERAL DATA

Insulation Resistance	1000 MΩ Min. (DC 500V)
Dielectric Strength	1000 VAC, 50/60Hz between contact.
	A:3,500,C:2500/ VAC, 50/60Hz between all elements.
Contact Material	Ag Alloy.
Contact Resistance	100 milliohms max. ( initial value )
Shock Resistance	Malfunction: 10G(11ms) ; Destructive: 100G(6ms)
Vibration Resistance	Malfunction: 10 to 55 Hz. at Double Amplitude of 1.5 mm
	Destructive: 10 to 55 Hz. at Double Amplitude of 1.5 mm
Operation Time	10 ms max.
Release Time	5 ms max.
Temperature Range	- 30°C ~ + 80°C
Expected Life	With operation rate 30/min.
	Mechanical - 10,000,000 operations min.
	Electrical - 100,000 operations min. at rated load.
Weight	6 grams

## FEATURES

- Employment of suitable plastic materials to be applied to high temperature and various chemical solution
- Power consumption: 0.33W~0.45W
- Using at cooking appliances, air conditioners, audio equipments, domestic appliances, car control units, etc.



TUV FILE NO. : R09452432

## ORDERING INFORMATION

LT    —    12    G    S  
1                      2                      3                      4

1. Type
2. Coil Nominal Voltage
3. Contact Rating  
G : 10A
4. Coil Sensitivity  
Nil : 0.45W  
S : 0.33W

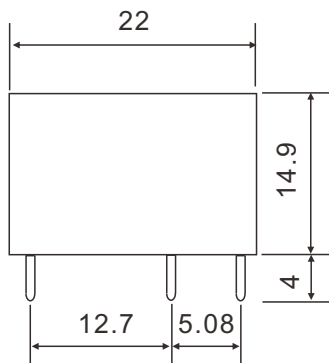
## COIL DATA(0.45W,0.33W, at 25°C)

Coil Nominal Voltage (VDC)	Resistance Tol.±10% (Ohms)		Nominal Current (mA)		Maximum Pick Up Voltage (V)	Minimum Drop Out Voltage (V)
	0.45W	0.33W	0.45W	0.33W		
3	20	27	150.0	111.1	2.1	0.3
5	56	75	89.2	62.5	3.5	0.5
6	80	110	75.0	54.5	4.2	0.6
9	180	250	50.0	36.0	6.3	0.9
12	320	440	37.5	30.0	8.4	1.2
24	1,280	1,750	18.7	13.4	16.8	2.4
48	4,600		10.4		33.6	4.8

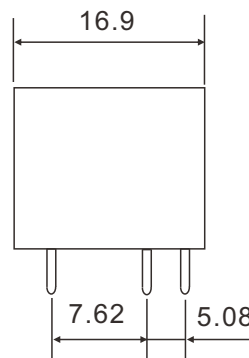
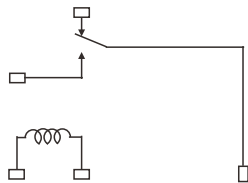
## CONTACT RATING

Resistive (Cos.θ = 1)	AC 120V / DC 24V	10A
	AC 240V	6A
Inductive (Cos.θ = 0.4)	AC 120V / DC 24V	6A
	AC 240V	3A

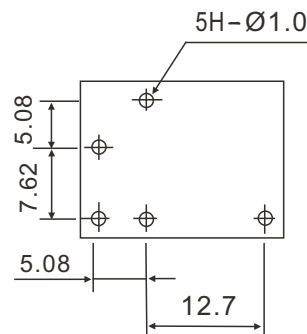
## DIMENSIONS(±0.2mm)



WIRING DIAGRAM  
(BOTTOM VIEW)



P.C.B LAYOUT  
(BOTTOM VIEW)



## GENERAL DATA

Insulation Resistance	100 MΩ Min. (DC 500V)
Dielectric Strength	750 VAC, 50/60Hz between contact.
	1,500 VAC, 50/60Hz between all elements.
Contact Material	Ag Alloy.
Contact Resistance	100 milliohms max. ( initial value )
Shock Resistance	Malfunction: 10G(11ms) ; Destructive: 100G(6ms)
Vibration Resistance	Malfunction: 10 to 55 Hz. at Double Amplitude of 1.5 mm
	Destructive: 10 to 55 Hz. at Double Amplitude of 1.5 mm
Operation Time	10 ms max.
Release Time	10 ms max.
Temperature Range	- 25°C ~ + 60°C
Expected Life	With operation rate 30/min.
	Mechanical - 10,000,000 operations min. Electrical - 100,000 operations min. at rated load.
Weight	10 grams



## FEATURES

- Employment of suitable plastic materials to be applied to high temperature and various chemical solution
- Power consumption: 0.33W~0.45W
- Using at cooking appliances, air conditioners, audio equipments, domestic appliances, car control units, etc.



TUV FILE NO. : R09452432  
TUV termination date 31/12/2017

## ORDERING INFORMATION

LT    —    12    G    S  
1                      2                      3                      4

1. Type
2. Coil Nominal Voltage
3. Contact Rating  
G : 10A
4. Coil Sensitivity  
Nil : 0.45W  
S : 0.33W

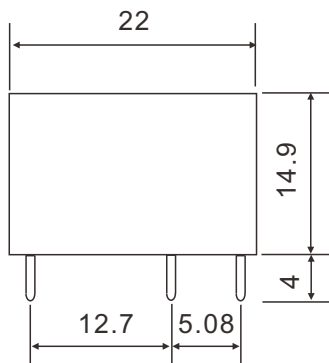
## COIL DATA(0.45W,0.33W, at 25°C)

Coil Nominal Voltage (VDC)	Resistance Tol.±10% (Ohms)		Nominal Current (mA)		Maximum Pick Up Voltage (V)	Minimum Drop Out Voltage (V)
	0.45W	0.33W	0.45W	0.33W		
3	20	27	150.0	111.1	2.1	0.3
5	56	75	89.2	62.5	3.5	0.5
6	80	110	75.0	54.5	4.2	0.6
9	180	250	50.0	36.0	6.3	0.9
12	320	440	37.5	30.0	8.4	1.2
24	1,280	1,750	18.7	13.4	16.8	2.4
48	4,600		10.4		33.6	4.8

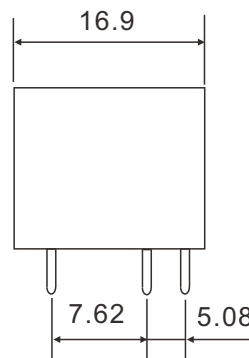
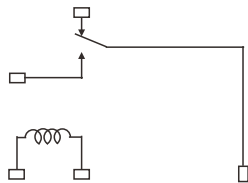
## CONTACT RATING

Resistive (Cos.θ = 1)	AC 120V / DC 24V	10A
	AC 240V	6A
Inductive (Cos.θ = 0.4)	AC 120V / DC 24V	6A
	AC 240V	3A

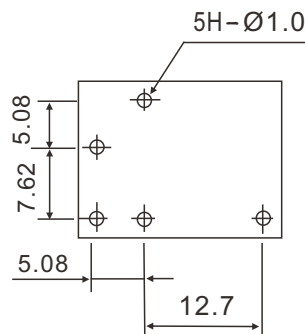
## DIMENSIONS(±0.2mm)



WIRING DIAGRAM  
(BOTTOM VIEW)



P.C.B LAYOUT  
(BOTTOM VIEW)

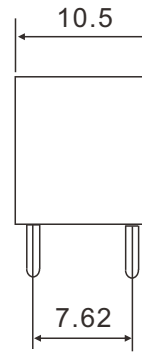
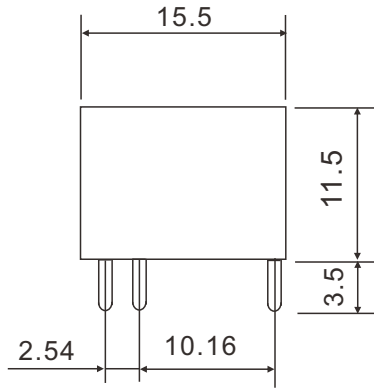


## GENERAL DATA

Insulation Resistance	100 MΩ Min. (DC 500V)
Dielectric Strength	750 VAC, 50/60Hz between contact.
	1,500 VAC, 50/60Hz between all elements.
Contact Material	Ag Alloy.
Contact Resistance	100 milliohms max. ( initial value )
Shock Resistance	Malfunction: 10G(11ms) ; Destructive: 100G(6ms)
Vibration Resistance	Malfunction: 10 to 55 Hz. at Double Amplitude of 1.5 mm
	Destructive: 10 to 55 Hz. at Double Amplitude of 1.5 mm
Operation Time	10 ms max.
Release Time	10 ms max.
Temperature Range	- 25°C ~ + 60°C
Expected Life	With operation rate 30/min.
	Mechanical - 10,000,000 operations min. Electrical - 100,000 operations min. at rated load.
Weight	10 grams



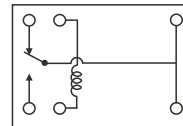
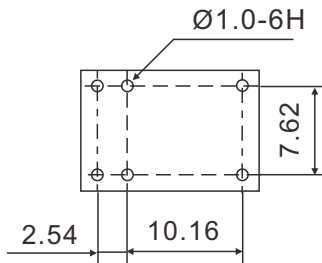
## DIMENSIONS(±0.2mm)



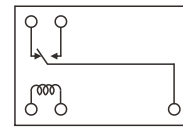
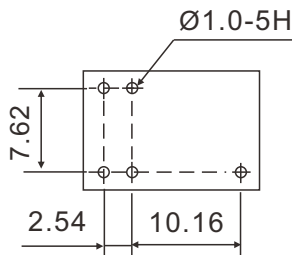
P.C.B LAYOUT  
(BOTTOM VIEW)

WIRING DIAGRAM  
(BOTTOM VIEW)

LU



LUZ

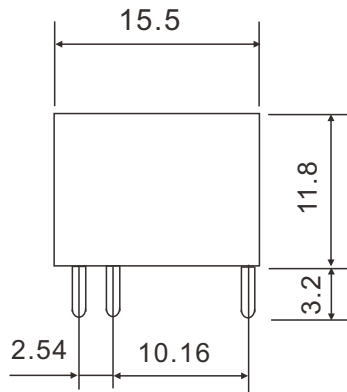


## GENERAL DATA

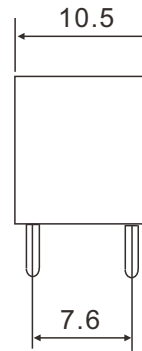
Insulation Resistance	100 MΩ Min. (DC 500V)
Dielectric Strength	500 VAC, 50/60Hz between contact.
	1000 VAC, 50/60Hz between all elements.
Contact Material	Ag Alloy.
Contact Resistance	100 milliohms max. ( initial value )
Shock Resistance	Malfunction: 10G(11ms) ; Destructive: 100G(6ms)
Vibration Resistance	Malfunction: 10 to 55 Hz. at Double Amplitude of 1.5 mm
	Destructive: 10 to 55 Hz. at Double Amplitude of 1.5 mm
Operation Time	5 ms max.
Release Time	5 ms max.
Temperature Range	- 30°C ~ +70°C
Expected Life	With operation rate 30/min.
	Mechanical - 10,000,000 operations min.
	Electrical - 100,000 operations min. at rated load.
Weight	4 grams



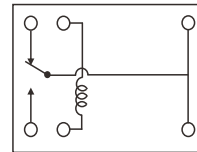
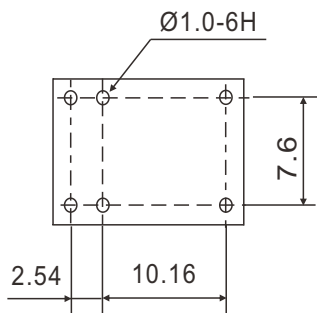
## DIMENSIONS(±0.2mm)



P.C.B LAYOUT  
(BOTTOM VIEW)



WIRING DIAGRAM  
(BOTTOM VIEW)

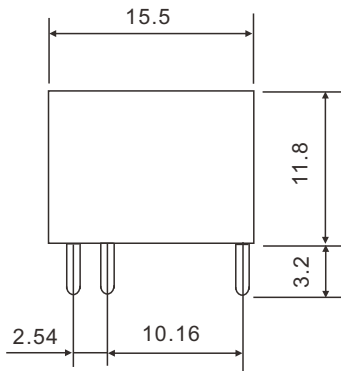


## GENERAL DATA

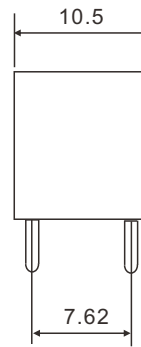
Insulation Resistance	100 MΩ Min. (DC 500V)
Dielectric Strength	500 VAC, 50/60Hz between contact.
	500 VAC, 50/60Hz between all elements.
Contact Material	Ag Alloy.
Contact Resistance	100 milliohms max. ( initial value )
Shock Resistance	Malfunction: 10G(11ms) ; Destructive: 100G(6ms)
Vibration Resistance	Malfunction: 10 to 55 Hz. at Double Amplitude of 1.5 mm
	Destructive: 10 to 55 Hz. at Double Amplitude of 1.5 mm
Operation Time	5 ms max.
Release Time	5 ms max.
Temperature Range	-30°C ~ + 70°C
Expected Life	With operation rate 30/min.
	Mechanical - 10,000,000 operations min.
	Electrical - 50,000 operations min. at rated load.
Weight	4 grams



## DIMENSIONS(±0.2mm)

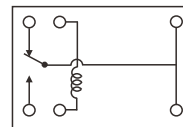
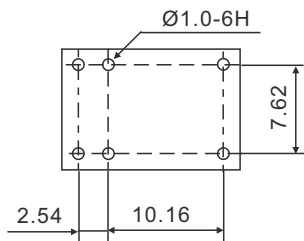


P.C.B LAYOUT  
(BOTTOM VIEW)



WIRING DIAGRAM  
(BOTTOM VIEW)

LUS



## GENERAL DATA

Insulation Resistance	100 MΩ Min. (DC 500V)
Dielectric Strength	500 VAC, 50/60Hz between contact.
	1000 VAC, 50/60Hz between all elements.
Contact Material	Ag Alloy.
Contact Resistance	100 milliohms max. ( initial value )
Shock Resistance	Malfunction: 10G(11ms) ; Destructive: 100G(6ms)
Vibration Resistance	Malfunction: 10 to 55 Hz. at Double Amplitude of 1.5 mm
	Destructive: 10 to 55 Hz. at Double Amplitude of 1.5 mm
Operation Time	5 ms max.
Release Time	5 ms max.
Temperature Range	- 30°C ~ +70°C
Expected Life	With operation rate 30/min.
	Mechanical - 10,000,000 operations min.
	Electrical - 100,000 operations min. at rated load.
Weight	4 grams



## FEATURES

- 2 Form C ( 2PDT) gold overlay silver-palladium cross-bar contacts
- High Sensitive type
- For high density PC Board mounting
- Using at telecommunication, domestic appliances, office machine, audio equipment, remote control.



UL FILE NO.: E126157  
CUL FILE NO.: E126157

## ORDERING INFORMATION

RS — 12 L

1                      2                      3

1. Type

2. Coil Nominal Voltage

3. Nil: 0.15W

L : 0.2W, (0.45W for 48VDC)

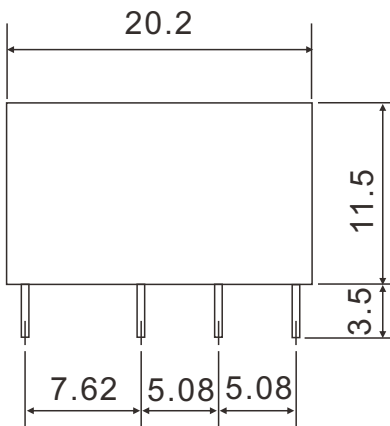
## CONTACT RATING

2 Form C (2PDT)	AC 120V / 1.0 A	DC 24V / 2 A
	Max. Switch Current	2A

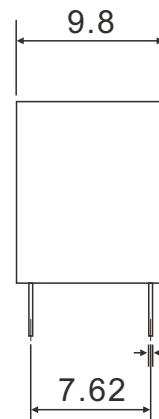
## COIL DATA( at 25°C)

Coil Nominal Voltage (VDC)	Resistance Tol±10% (Ohms)		Nominal Current (mA)		Maximum Pick Up Voltage (V)	Minimum Drop Out Voltage (V)
	0.15W	0.2W	0.15W	0.2W		
3	60	45	50.0	66.7	2.4	0.150
5	167	125	29.9	40.0	4.0	0.250
6	240	180	25.0	33.3	4.8	0.300
9	540	405	16.7	22.2	7.2	0.450
12	960	720	12.5	16.7	9.6	0.600
24	3,840	2,880	6.3	8.3	19.2	1.200
48	5,120		9.4		36.0	2,400

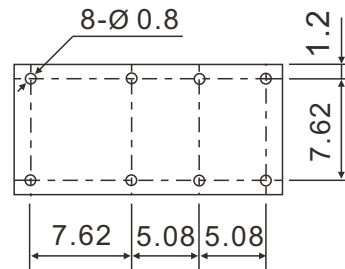
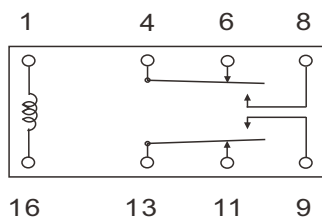
## DIMENSIONS(±0.2mm)



P.C.B LAYOUT  
(BOTTOM VIEW)



WIRING DIAGRAM  
(BOTTOM VIEW)



## GENERAL DATA

Insulation Resistance	1,000 MΩ Min. (DC 500V)
Dielectric Strength	500 VAC, 50/60Hz between contact.
	1,000 VAC, 50/60Hz between all elements.
Contact Material	Ag Alloy.
Contact Resistance	100 milliohms max. ( initial value )
Shock Resistance	Malfunction: 10G(11ms) ; Destructive: 100G(6ms)
Vibration Resistance	Malfunction: 10 to 55 Hz. at Double Amplitude of 1.5 mm
	Destructive: 10 to 55 Hz. at Double Amplitude of 1.5 mm
Operation Time	6 ms max.
Release Time	3 ms max.
Temperature Range	- 30°C ~ + 70°C
Expected Life	With operation rate 30/min.
	Mechanical - 10,000,000 operations min.
	Electrical - 100,000 operations min. at rated load.
Weight	5 grams

## FEATURES

- Small size (12.5x7.8x9.7mm) and light weight
- High Sensitive
- Washable type
- UL and CUL approved
- Using at Telecommunication, domestic appliances, etc



UL FILE NO.: E126157  
CUL FILE NO.: E126157

## ORDERING INFORMATION

RSY — 12 L  
1                      2      3

1. Type
2. Coil Nominal Voltage
3. Nil: 0.15W  
L: 0.2 W

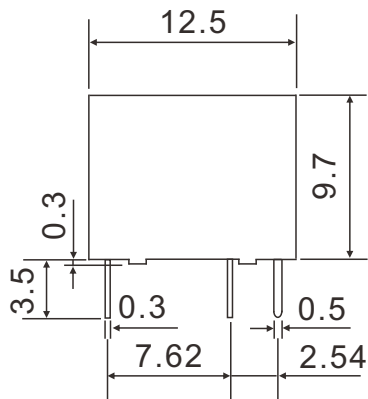
## CONTACT RATING

1 FORM C (1PDT)	Resistive (Cos.θ = 1)	AC 125V / 1A	DC 24V / 1A
		Max. Switch Current	1A

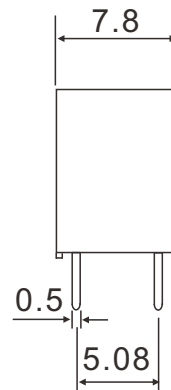
## COIL DATA(0.15W,0.2W, at 25°C)

Coil Nominal Voltage (VDC)	Resistance Tol.±10% (Ohms)		Nominal Current (mA)		Maximum Pick Up Voltage (V)	Minimum Drop Out Voltage (V)
	0.15W	0.2W	0.15W	0.2W		
3	60	45	50.0	66.7	2.4	0.3
5	167	125	30.0	40.0	4.0	0.5
6	240	180	25.0	33.3	4.8	0.6
9	540	405	16.6	22.2	7.2	0.9
12	960	720	12.5	16.7	9.6	1.2
24	3,840	2,880	6.25	8.3	19.2	2.4

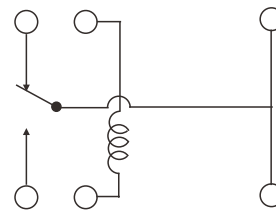
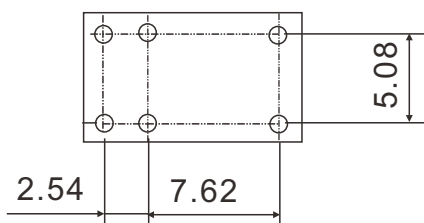
## DIMENSIONS(±0.2mm)



P.C.B LAYOUT  
(BOTTOM VIEW)



WIRING DIAGRAM  
(BOTTOM VIEW)



## GENERAL DATA

Insulation Resistance	1,000 MΩ Min. (DC 500V)
Dielectric Strength	400 VAC, 50/60Hz between contact.
	1,000 VAC, 50/60Hz between all elements.
Contact Material	Ag Alloy.
Contact Resistance	100 milliohms max. ( initial value )
Shock Resistance	Malfunction: 10G(11ms) ; Destructive: 100G(6ms)
Vibration Resistance	Malfunction: 10 to 55 Hz. at Double Amplitude of 1.5 mm
	Destructive: 10 to 55 Hz. at Double Amplitude of 1.5 mm
Operation Time	4 ms max.
Release Time	3 ms max.
Temperature Range	- 25°C ~ + 55°C
Expected Life	With operation rate 30/min.
	Mechanical - 1,000,000 operations min. Electrical - 100,000 operations min. at rated load.
Weight	2.2 grams